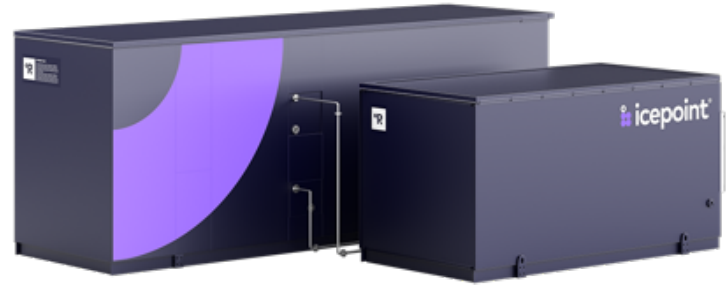


# IcePoint: Agile Refrigeration & Moisture Control

Rebound's IcePoint system provides unprecedented agility to quickly and effectively deliver on-demand bursts of refrigeration and moisture control. IcePoint is a skid-mounted asset that sits alongside a facility and integrates with the primary vapor compression system to ensure the facility can adapt to meet any climatic, operational or market changes.



**Flexible Capacity (28-140TR, -20°F to -40°F)**



FEATURES	ICEPOINT BENEFITS
<b>AGILE COOLING CAPACITY</b>	Ramps between 28-140 TR without part-load penalties to deliver strategic bursts, ideal for accelerating freezing processes and maintaining temperature setpoints.
<b>SIMULTANEOUS DEHUMIDIFICATION</b>	Removes between 8-30 GPH of moisture to manage humidity with no heat addition.
<b>ELECTRIC LOAD SHIFTING</b>	Mitigates peak energy costs by providing the option to generated refrigerant during off-peak hours for use during peak demand hours.
<b>NATURAL, NON-TOXIC REFRIGERANT</b>	Enables both environmental compliance and worker/product safety by using a natural, non-toxic, non-corrosive brine refrigerant.
<b>SKID-MOUNTED, PACKAGED SYSTEM</b>	Avoids expensive engine room re-design and extended facility disruptions via placement alongside the facility.
<b>MULTIPLE INTEGRATION OPTIONS</b>	Integrates seamlessly via either an engine room heat exchanger (liquid subcooling) or a liquid-to-air AHU (cooling + dehumidification).



**Continuous Freezing**

**\$3.4M**

**ANNUAL EARNINGS INCREASE**

- IQF freezers
- Spiral freezers
- Drag through freezers



**Batch Freezing**

**\$500K**

**ANNUAL EARNINGS INCREASE**

- Blast cells
- Plate freezers
- Quick freeze rooms



**Storage & Dehumidification**

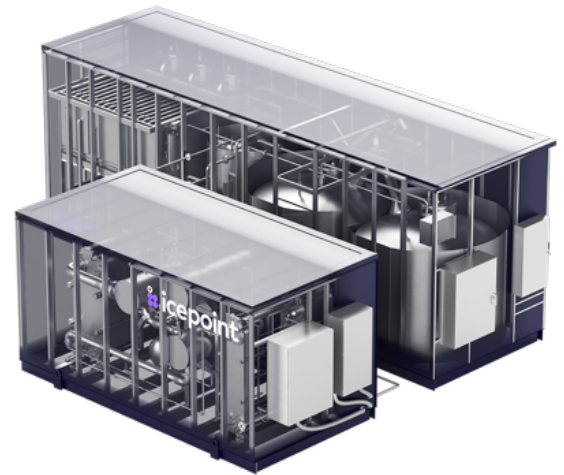
**8-30 GPH**

**MOISTURE REMOVAL RATE**

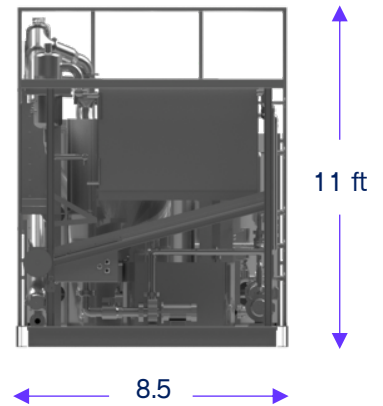
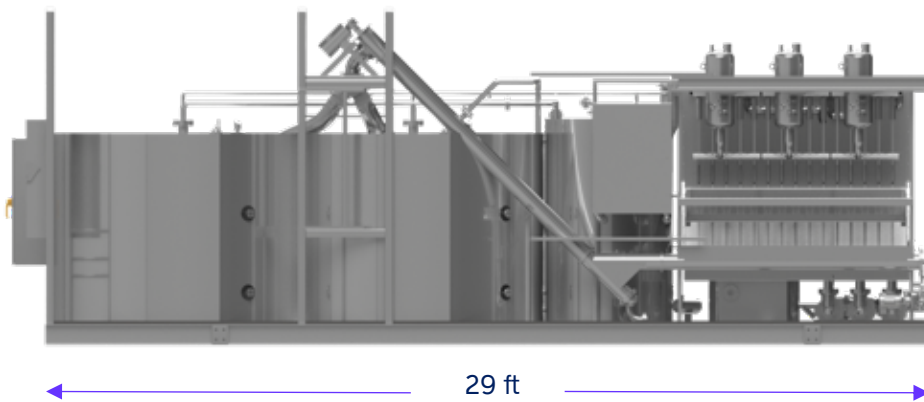
- Freezer storage
- Production floors
- Loading docks

## Technical Data

CAPACITY RANGE	28 – 140 TR
SUCTION TEMPERATURE	-20°F TO -40°F
ELECTRICAL REQUIREMENT	460V 3P 260A
POWER CONSUMPTION	66 KW



### IcePoint Generator



### IcePoint Separator

